

iQ700, Built-in steamer, 60 x 45 cm, Stainless steel CD634GAS0



The compact steamer for delicious, low-fat, healthy food preparation.

- ✓ Cook healthy, gently and naturally – fullSteam.
- ✓ Automatic programs ensure best results - cookControl20
- ✓ Good readability from any perspective - TFT-Display.
- ✓ Halogen-Illumination: for precise lighting.
- ✓ Gentle opening and closing of the oven door - softMove.

Features

Technical Data

Color / Material Front : Stainless steel
 Built-in / Free-standing : Built-in
 Min. required niche size for installation (HxWxD) : 450-455 x 560-568 x 550 mm
 Dimensions : 455 x 594 x 548 mm
 Dimensions of the packed product (HxWxD) : 540 x 650 x 700 mm
 Control Panel Material : Stainless steel
 Door Material : Glass
 Net weight : 22.5 kg
 Length electrical supply cord : 150.0 cm
 EAN code : 4242003833254
 Connection Rating : 1750 W
 Fuse protection : 10 A
 Voltage : 220-240 V
 Frequency : 50; 60 Hz
 Plug type : Gardy plug w/ earthing
 Included accessories : 1 x steam container, punched, size L, 1 x steam container, unpunched, size L, 1 x sponge



Included accessories

1 x steam container, punched, size L, 1 x steam container, unpunched, size L, 1 x sponge

Optional accessories

HZG0AS00	Connecting cable 3m
HZ915003	Glass roasting dish, 5,4 L
HZ66X650	Cover Strip
HZ66X600	Decor list

iQ700, Built-in steamer, 60 x 45 cm, Stainless steel CD634GAS0

Features

Type of oven / heating system:

- Compact steamer with these heating methods: Steam, Regeneration with steam, Fermentation with steam, Defrost with steam
- Temperature range 30 °C - 100 °C
- Cavity volume: 38 l

Hook-in racks / rails

- Number of shelf levels: 3 PC

Design:

- Cavity inner surface: enamel

Cleaning:

- Full glass inner door

Comfort:

- 2,8"-TFT-color and text display with touch-control buttons
- electronic clock
- Temperature proposal
- Actual temperature display Optical temperature control
- cookControl 20
- Drop down door
- Bar handle
- Supporting systems: Programs
- Interior lighting, Independent oven interior light button
- Water tank empty indicator
- Location of the steam generator is inside of the cavity
- Integral cooling fan

Accessory:

- 1 x steam container, punched, size L, 1 x steam container, unpunched, size L, 1 x sponge

Environment and Safety:

- Low door temperature
- Child lock
- Start-/Stop button Door contact switch

Technical Information

- Length of mains cable: 150 cm
- Nominal voltage: 220 - 240 V
- Total connected load electric: 1.75 KW

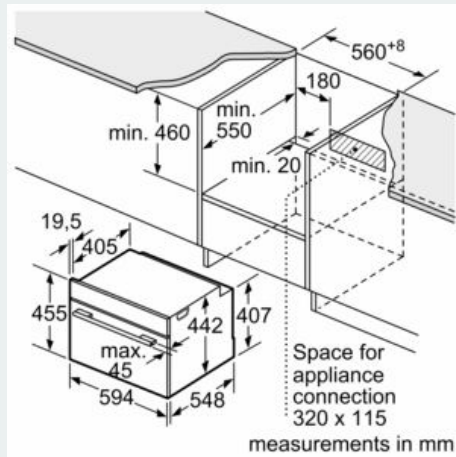
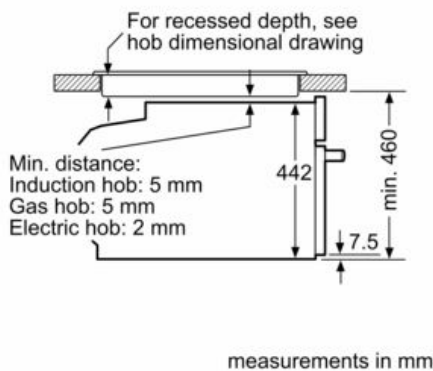
Dimensions:

- Appliance dimension (HxWxD): 455 mm x 594 mm x 548 mm
- Niche dimension (HxWxD): 450 mm - 455 mm x 560 mm - 568 mm x 550 mm
- "Please reference the built-in dimensions provided in the installation drawing"
- We recommend you to choose complementary products within IQ700, in order to assure an optimal design combination of your Built-In appliances.

iQ700, Built-in steamer, 60 x 45 cm, Stainless steel CD634GAS0

Dimensioned drawings

Installation with a hob.



If the compact appliance will be installed underneath a hob, the following worktop thicknesses (including substructure if necessary) must be taken into account.

Hob type	min. worktop thickness	
	fitted	flush
Induction hob	42 mm	43 mm
Full surface Induction hob	52 mm	53 mm
Gas hob	32 mm	43 mm
Electric hob	32 mm	35 mm

