

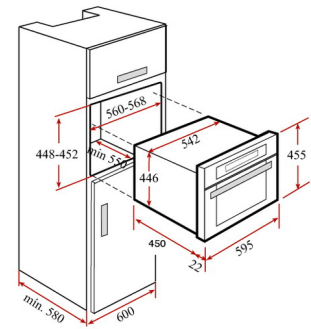
## Teka HKL 970 SC 32 I Schwarz, Edelstahl

Marke : Teka

Artikel-Code: 40589000

Produktname : HKL 970 SC

Teka HKL 970 SC. Ofentyp: Elektrischer Ofen, Garraumvolumen Gesamteinheit: 32 l, Netto-Ofenvolumen: 32 l. Produktfarbe: Schwarz, Edelstahl, Steuerung: Drehregler, Sensor, Steuerungsposition: Vorne oben. Timer-Typ: Digital. Stromverbrauch (Standardbetrieb): 3200 W. Breite: 595 mm, Tiefe: 450 mm, Höhe: 455 mm



Backofen		Design	
Anzahl der Öfen *	1	Steuerungsposition	Vorne oben
Ofentyp *	Elektrischer Ofen	Fassungsvermögen Wassertank	1,4 l
Garraumvolumen Gesamteinheit *	32 l	<b>Ergonomie</b>	
Netto-Ofenvolumen *	32 l	Integrierte Uhr	✓
Grill *	✓	Timer-Typ	Digital
Grillenergie	1200 W	Einfach zu säubern	✓
Dampfgaren *	✓	<b>Leistung</b>	
Konventionelle Beheizung (Ober-/Unterhitze)	✓	Stromverbrauch (Standardbetrieb)	3200 W
Auftaufunktion des Backofens *	✓	<b>Beleuchtung</b>	
Aufwärmfunktion *	✓	Innenbeleuchtung	✓
Anzahl der Regale	2 Regale	<b>Gewicht und Abmessungen</b>	
<b>Design</b>		Breite	595 mm
Produktfarbe *	Schwarz, Edelstahl	Tiefe	450 mm
Steuerung *	Drehregler, Sensor	Höhe	455 mm



8421152097298

Disclaimer. The information published here (the "Information") is based on sources that can be considered reliable, typically the manufacturer, but this Information is provided "AS IS" and without guarantee of correctness or completeness. The Information is only indicative and can be changed at any time without notification. No rights can be based on the Information. Suppliers or aggregators of this Information do not accept any liability with regard to the content of (web)pages and other documents, including its Information. The publisher of the Information can not be held liable for the content of 3rd party websites that are linking this Information or are linked to from this Information. You as the User of the Information are solely responsible for the choice and usage of this Information. You are not entitled to transfer, copy or otherwise multiply or distribute the Information. You are obliged to follow the directions of the copyright owner(s) with regard to the use of the Information. Exclusively Dutch law is applicable. With regard to price and stock data on the site, the publisher followed a number of starting points, which are not necessarily relevant for your private or business circumstances. Therefore, the price and stock data are only indicative and are subject to changes. You are personally responsible for the way you use and apply this information. As a user of the Information or sites or documents in which this Information is included, you will adhere to standard fair use including avoidance of spamming, ripping, intellectual-property violations, privacy violations, and any other illegal activity.

Publication date: 18-SEP-2023. Prints or copies of Information are only valid on the printed Publication date